

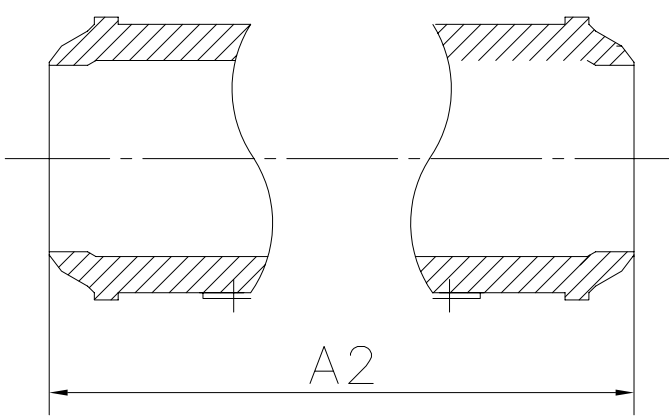
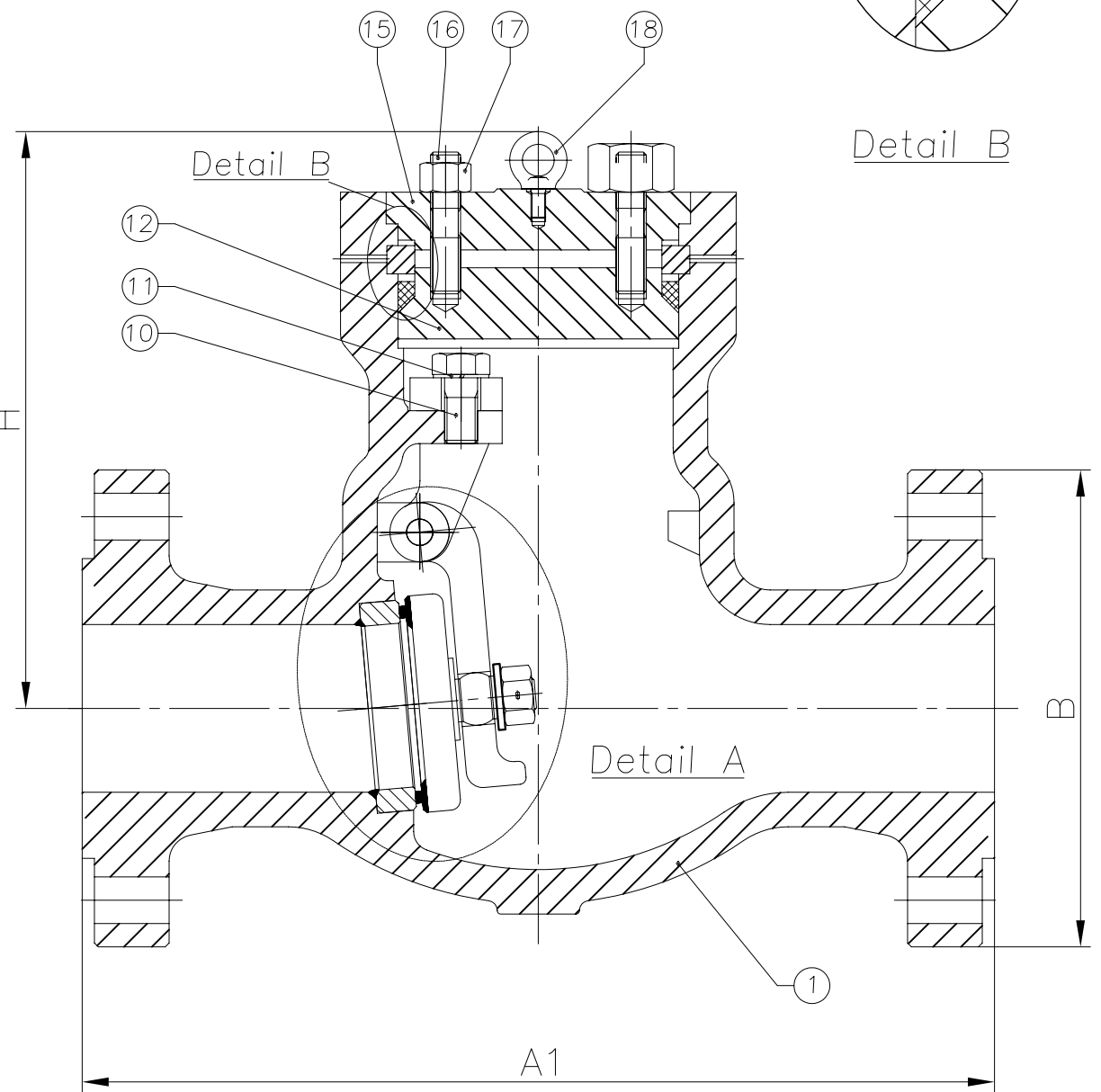
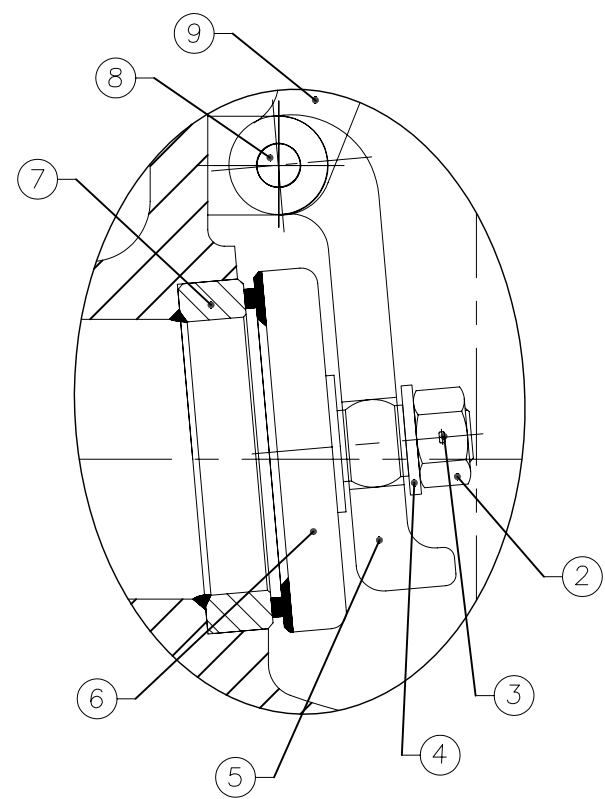
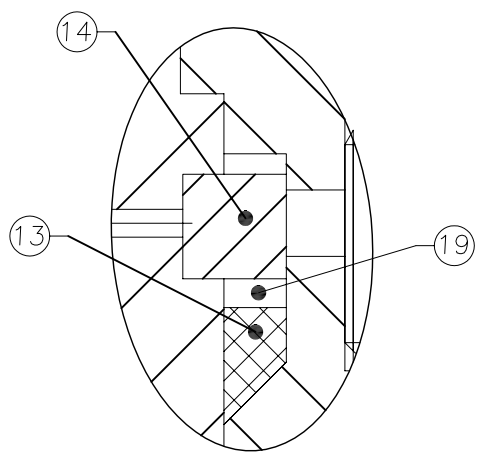
1 | 2 | 3 | 4 | 5 | 6 | 7 | 8

BILL OF MATERIALS

NO.	DESIGNATION	QTY	MATERIAL	NOTES
1	BODY	1	ASTM A216 WCB	
2	VALVE NUT	1	ASTM A194 2HM	
3	DISC NUT PIN	1	CARBON STEEL	
4	DISC WASHER	1	CARBON STEEL	
5	HINGE	1	ASTM A216 WCB	
6	DISC	1	ASTM A216 WCB+STL	
7	SEAT	1	ASTM A105+13%Cr	
8	HINGE PIN	1	ASTM A182 F6a	
9	BEARING BRACKET	1	ASTM A216 WCB	
10	BEARING BRACKET BOLT	1	ASTM A193 B7M	
11	SPRING WASHER	1	SPRING STEEL	
12	BONNET	1	ASTM A216 WCB	
13	GASKET	1	304+GRAPHITE	
14	SEPARATE RING	1	ASTM A276 410	
15	COVER	1	ASTM A216 WCB	
16	COVER BOLT		ASTM A193 B7M	
17	COVER NUT		ASTM A194 2HM	
18	STATIONARY RINGS	1	CARBON STEEL	
19	THRUST RING	1	ASTM A276 410	

A
B
C
D
E

A
B
C
D
E



Size	A1	A2	B	H
2	368	216	216	241
3	381	305	241	270
4	457	356	292	318
6	610	508	381	400
8	737	660	470	587
10	838	787	544.5	606
12	965	914	610	695
14	1029	991	641.5	749
16	1130	1092	705	730

ENGINEERING DATA

DESIGN CODE	BS 1868/ANSI B16.34	TEST PRESSURES		
FACE TO FACE DIMENSIONS	ASME B16.10	BODY	229.8	Barg
ENDS CONNECTION DIMENSIONS	ASME B16.25	SEAT	168.52	Barg
TESTING CODE	API 598	BACKSEAT	168.52	Barg
		AIR - SEAT	6.0	Barg

BY	CHK	APP	SCALE:	
			DRAWN	DATE
			CHECKED	DATE
			APPROVED	DATE

DRAWING TITLE:
API CAST STEEL CLASS 900
PS BONNET, RF, SWING CHECK VALVE

PROJECT:
PACKAGE:
VENDOR DOC.NO.:



CAD. No.	DRAWING NUMBER:	120054	REV
	AREA No. FACILITY TYPE SEQ. No. SHT. No.		

1 | 2 | 3 | 4 | 5 | 6 | 7 | 8